

# RVM5912

## UNDERMOUNT BAR SINK

# RUVATI®

## SPECIFICATION SHEET

### MATERIAL

True 16 Gauge Thickness  
Premium T304 Grade Stainless Steel  
18/10 Chromium/Nickel Content  
Commercial Brushed Finish

### FEATURES

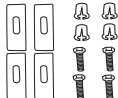
- Heavy duty sound guard padding and undercoating
- Curved bowl and rounded bottom for perfect drainage
- Small size sink for wet bar



### IN THE BOX



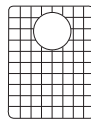
Basket Strainer  
[RVA1025]



Mounting Clips  
[RVA11031]



Cut-out  
Template



Rinse Grid  
[RVA65912]



Drain Cover  
[RVA1035]



cUPC certified by IAPMO to meet US and Canada plumbing standards.  
Codes compliance: ASME A112.19.3/CSA B45.4

### NOMINAL DIMENSIONS

Exterior: 12" (wide) x 17-3/4" (front-to-back)  
Interior Bowl: 10" (wide) x 15-3/4" (front-to-back)  
Bowl Depth: 7"  
Minimum Cabinet Size: 15" wide  
Drain Hole Size: 3 1/2"

Installation Type:  
Undermount

Inside Corners:  
Rounded

Drain Location:  
Rear Center

# RUVATI USA

www.ruvati.com

Phone: 1.855.478.8284  
Email: support@ruvati.com

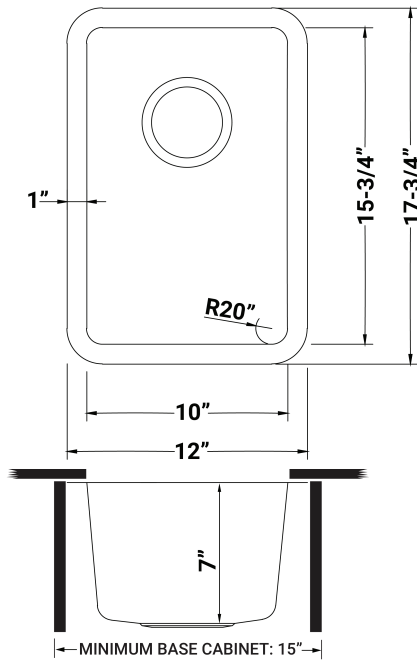
# OPTIONAL ACCESSORIES (SOLD SEPARATELY)



Deep Basket  
Disposal Flange  
[RVA1049ST]

---

## DIMENSIONS



Register your product at [www.ruvati.com/register](http://www.ruvati.com/register).